

AMBIA-LINE cross gallery

Organisation at its best

www.blum.com



Memo

i

AMBIA-LINE – the inner dividing system

The inner dividing system for LEGRABOX ensures perfect organisation in all living areas. The universally compatible AMBIA-LINE frames are easy to use and have a shape, colour and material designed to match LEGRABOX.




> www.blum.com/ambialine



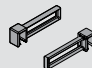
The AMBIA-LINE cross gallery

A new practical solution has been added to the inner dividing system for LEGRABOX: The new AMBIA-LINE cross gallery can be cut down to any size you require, providing excellent organisation in your pots & pan pull out, for example. It can also be assembled tool-free: the cross gallery simply clips on to a LEGRABOX drawer side. Flexible lateral dividers can be adjusted with ease and ensure that items are held securely.

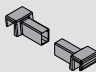
Cross gallery for cutting to size

	OG-M	TS-M	SW-M
			
Length 1.080 mm	ZR7.1080U		

Lateral divider

	OG-M	TS-M	SW-M
			
Length 84 mm	ZC7U10F0		

Adapters

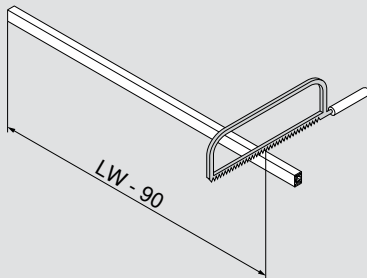
	OG-M	TS-M	SW-M
			
LEGRABOX pure	ZC7U10E0		
LEGRABOX free	ZC7U11E0		

AMBIA-LINE
for LEGRABOX



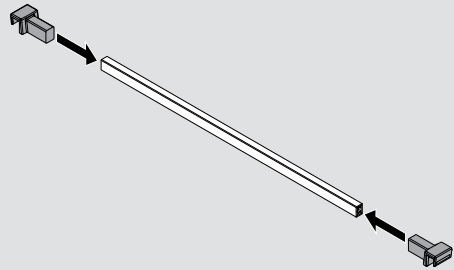
Assembly and removal

1

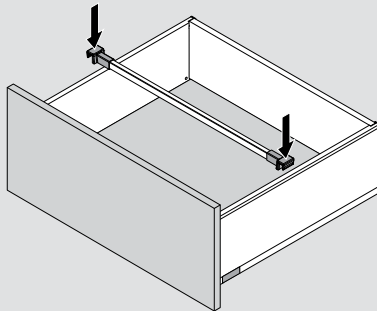


LW Internal cabinet width

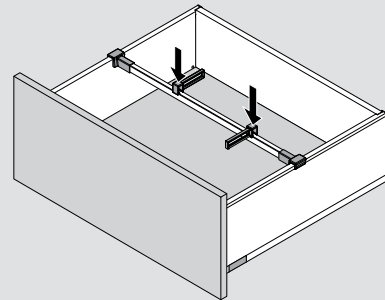
2



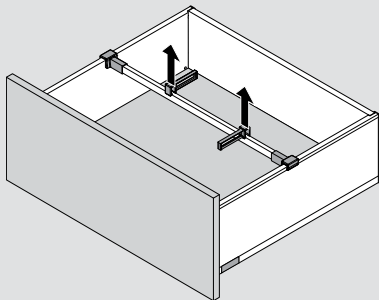
3



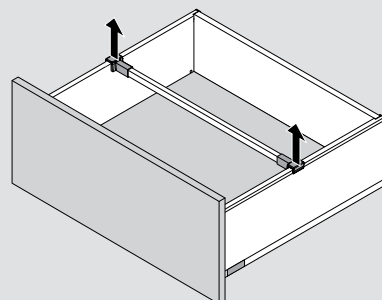
4



1



2



i

